

# EKKO<sup>®</sup>

MATERIAL HANDLING EQUIPMENT

**MOVING AHEAD**

## 4-WHEEL ELECTRIC FORKLIFT EK20R SERIES

- Load Capacity 4500 lbs.
- Lift Height 189-216 in. 3 Stage
- Side Shifting Forks
- 48V420Ah Industrial Batteries
- Free Lift 68-77"
- Hydraulic Power Steering
- Length 129"
- Curtis Controller
- Tilt 3/6 degree
- Mast Height 84-93"
- Overhead Guard 86.5"
- Batteries & Charger
- 3 Year Limited Warranty



## EK20R

**Superior quality, maneuverable, compact, and durable for all your material handling applications. Ideal for small aisles and areas.**

**WEIGHT CAPACITY:** 4500 lbs. @ 24" load center

**LIFT HEIGHT:** 189-216 3 Stage

**SIDE SHIFTING FORKS:** 45.3"

**MAST HEIGHT:** 84-93"

**TURNING RADIUS:** 84.6"

**FREE LIFT:** 68-77"

**TILT:** 3/6 degree

**INDUSTRIAL BATTERY / CHARGER:** 48V 420Ah, Industrial batteries with external direct connect 210A 210VAC plug-in automatic 48V/65A charger (both Included)

**BRAKING:** Drum brakes

**SPEED TRAVEL:** 9 mph empty ; 7.5 mph loaded

**LIFTING SPEED:** 16 ips empty; 9.9 ips loaded

**LOWERING SPEED:** 10.2 ips empty; 9.5 ips loaded

**FRONT WHEELS:** 6.5x10x10" solid cushion

**REAR WHEELS:** 5x8x10" solid cushion

**HYDRAULICS LIFTING MOTOR:** 48V 7700 Watt lifting motor with hardened chrome moly steel for durability.

**DRIVE MOTOR:** 48V 7500 Watt ZF AC drive motor for efficiency and high torque.

**AC CONTROLLER:** 48V Curtis provides performance through entire range of speed; Constant travel speed regardless of load; Battery discharge indicator combination gauge.

**BRAKES:** Drum Brakes with Electro-magnetic braking for secure stopping power

**LIGHTING:** LED Head lights, turn signals and brake lights.

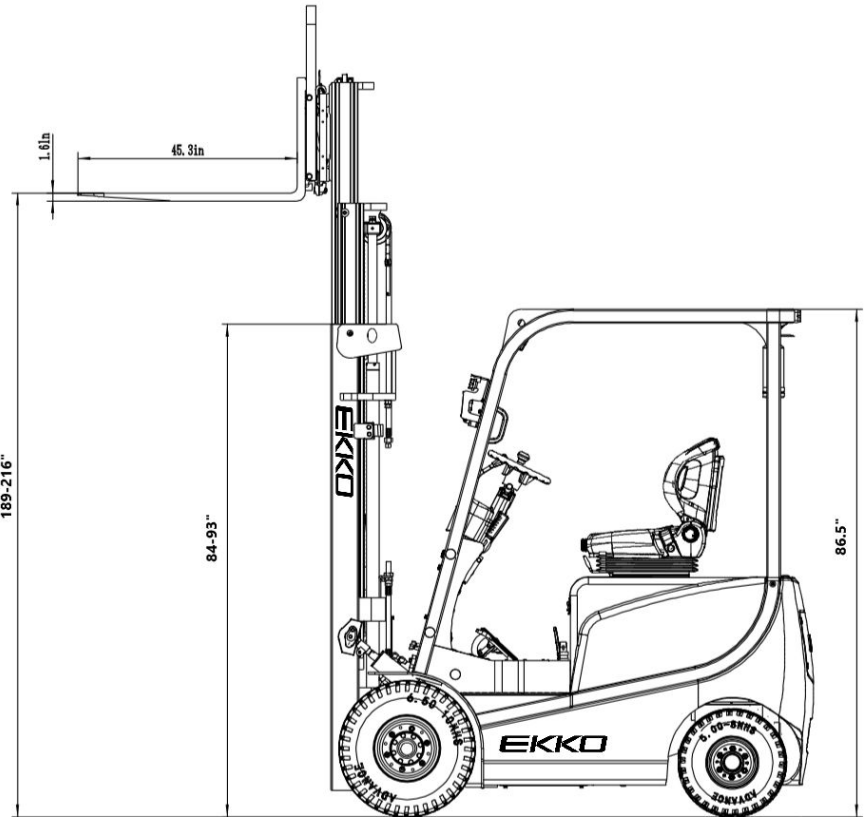
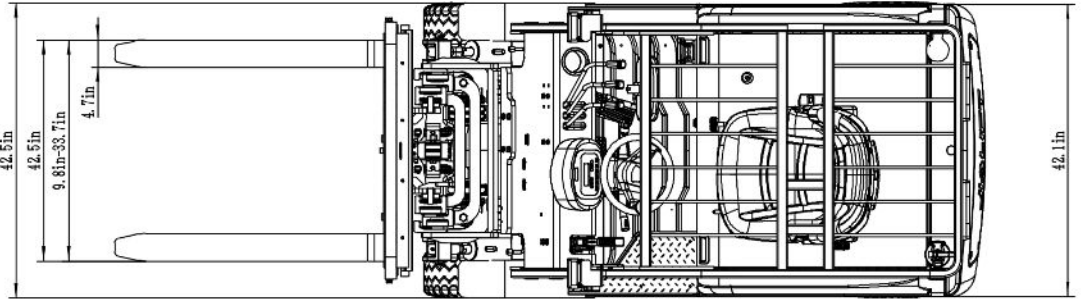
**OPERATOR CONTROLS:** Tilt, lifting, lowering, side shifting forks, horn functions are located in the ergonomic sit down; Led lighting.

**CHASSIS AND MAST:** Robotic Welding; Heavy duty steel chassis with I-beam mast for durability; Telescoping mast.



# 4-Wheel Electric Forklift

# EKKO®



MODEL #	LOWERED MAST	LIFT HEIGHT	FREE LIFT	MAX MAST HEIGHT	TOTAL LENGTH	SERVICE WEIGHT
EK20R	93"	216"	77"	249"	129"	8000lbs
EK20RL	84"	189"	68"	221"	129"	7500lbs

**EKKO®**  
 MATERIAL HANDLING EQUIPMENT  
**MOVING AHEAD**

1761 W. Holt Ave.  
 Pomona, CA 91768 USA  
 T: (877) 232-6517 F: (909) 222-6861

AUTHORIZED DEALERS ONLY  
[www.ekkolifts.com](http://www.ekkolifts.com)